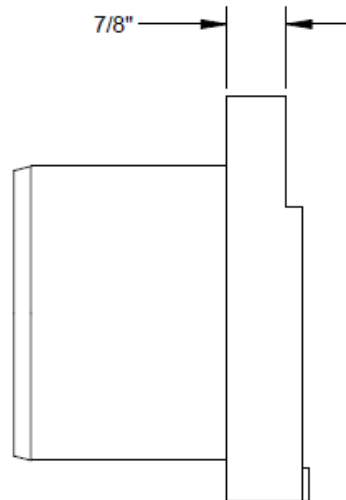
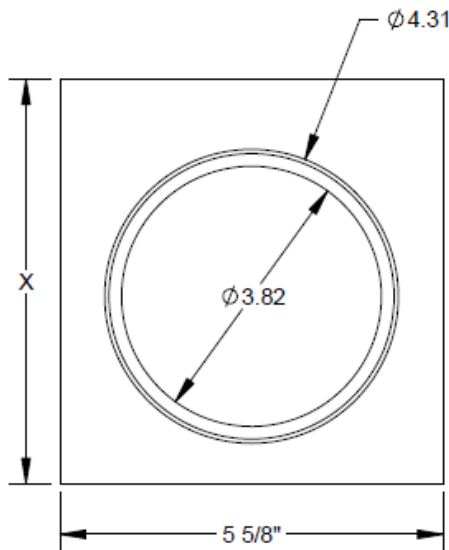
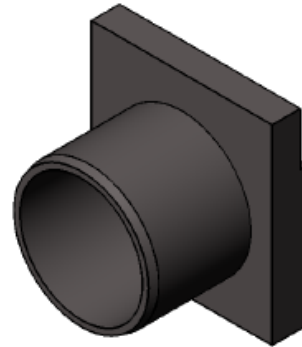
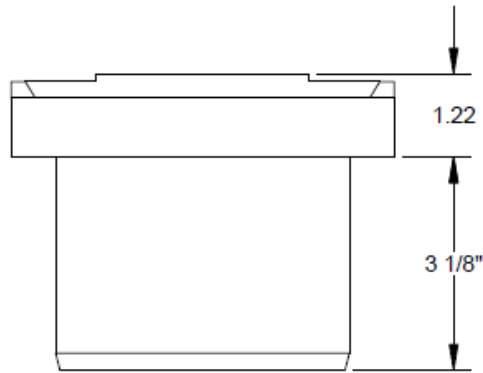


Number 153373 / 153375 / 153377 153379 / 15338	Series CPS604 EN1000 Series End Cap Outlet
---	--



PART NUMBER	"X" DIMENSION
153373	5.94"
153375	6.94"
153377	7.94"
153379	8.94"
153381	9.94"

Manufacturer



Quality engineered trench drain system

Specification

MEA-JOSAM ENDCAP OUTLETS FOR ALL EN1000 CHANNELS. 4+ OUTLET IS MADE OF HDPE AND INCLUDES A SEALING RING. SUPPLIED BY TRENCH DRAIN SUPPLY.

DISCLAIMER - The customer and the customer's architects, engineers, consultants, and other professionals are completely responsible for the selection installation and maintenance of any product purchased from Trench Drain Supply and/or its manufacturers. TRENCH DRAIN SUPPLY MAKES NO WARRANTY, EXPRESS OR IMPLIED, AS TO THE SUITABILITY, DESIGN, MERCHANTABILITY, OR FITNESS OF THE PRODUCT FOR CUSTOMERS APPLICATION. The drawing and information provided remain the property and copyright of the manufacturer listed. The manufacturer reserves the right to modify specification without notice.